



Bekenflo

BEST OEM

INNOVATION

CATALOGUE 2020



Bekenflo

BEST OEM

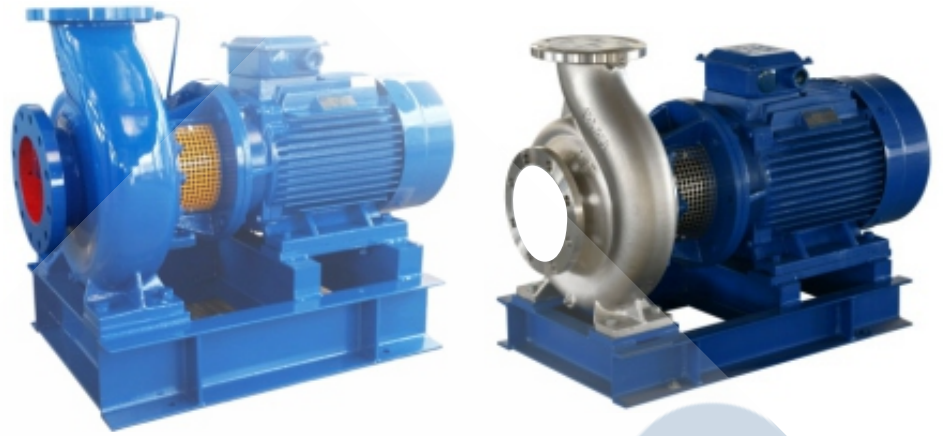
INNOVATION

CATALOGUE 2020

BNS series Single Stage, End Suction Norm Centrifugal pumps

Applications:

Raw Water Supply
Drinking water supply
Industrial Applications
Irrigation
Hot water Circulation
Sea Water
Cold Water Circulation
Pool Water
Condense Systems
Fire Fighting Systems
Process water supply in the field: Pulp/paper, Steel, Food, Sugar Industry.
Chemical Industry
Bioethanol



SPECIFICATIONS:

Size: DN32 ~ 500mm (inlet)/ DN20 ~ 450mm (outlet)
Speed: 2900rpm;1450rpm;980rpm
Max Capacity: 2-3500m³/h
Max Head: 2 ~ 250m
Max Speed: 3500rpm (Diameter of impeller will be reduced)
Max Working Temperature: -30 ~ 350°C
Working Pressure: Generally it is 1.6Mpa, It can rise to 2.4Mpa if material is Nodular cast or Cast Steel .

Application Std : ISO 5199 std

Remarks:

Material: 304/316/316L/2205/2507/TA2/HASTELLOY/Monel
We have been OEM for many brands from Europe
We can make pumps with the bearing housing as your own design.

Constructure:

Pump casing is made of investment casing, the tolerance for corrosion is higher than 3mm. Twin channel are used for several models.

The replacable wearing ring will be used for liquid of various chemical or solid.

Enclosed impeller or semi-open impeller will be used, (Investment moulding)

The mounted support can be changed to Centerline design.

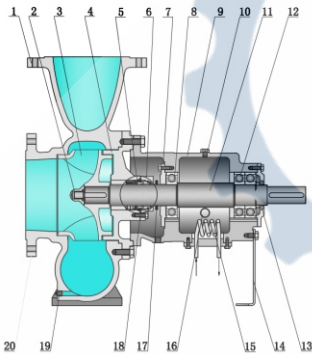
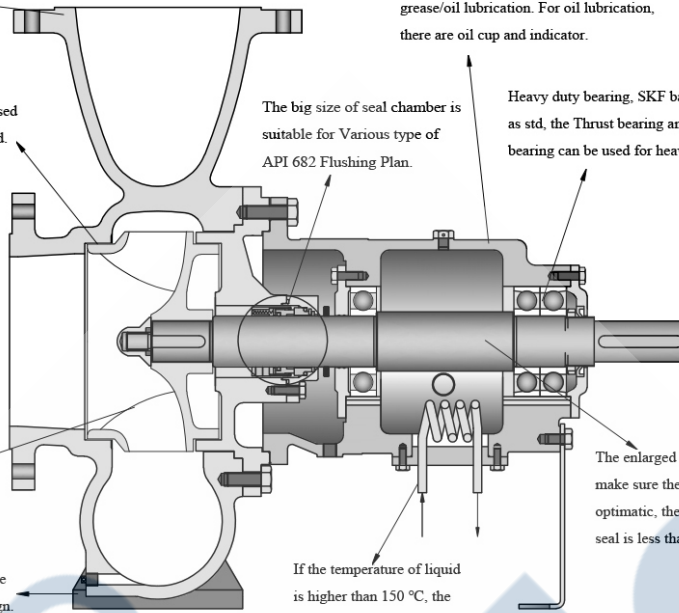
Heavy duty bearing housing can adopt the grease/oil lubrication. For oil lubrication, there are oil cup and indicator.

The big size of seal chamber is suitable for Various type of API 682 Flushing Plan.

Heavy duty bearing, SKF ball bearing as std, the Thrust bearing and roller bearing can be used for heavy duty

The enlarged type of shaft will make sure the L3/D4 ratio is optomitic, the deflection of shaft seal is less than 0.05mm

If the temperature of liquid is higher than 150 °C, the cooling water can be used to cool down the bearing



item	name	item	name	item	name
1	pump casing	7	bearing cover	14	support
2	impellemut	8	deep groove bearing	15	bearing cooling device
3	impeller	9	bearinghousing	16	oilindicator
4	casing cover	10	vacuum valve	17	water slinger
5	mechanical seal	11	shaft	18	O-ring
5B	double mechanical seal	12	Thrustbearing/roller bearing	19	drainage plug
6	seal cover	13	oilseal	20	Flange



Brands interchangeable:

Sulzer APP/AUP/CPT/MBN/MC/ZE,
Andritz ACP/MC, Godwin, Pioneer, KSB, Goulds 3196,
Durco Mark III, Gorman-rupp. Monoyo/Seepex/Netzsch,
Warman AH, Flowserve LC, Tsurumi pump, etc.



Fuzhou Beken Fluid Co.,LTD.

Add:11th floor, ZhongMing TianAo Building,
No.169 Hudong Road, GuLou District,Fuzhou,Fujian,China.

Tel: 0086-591-87557702

Fax: 0086-591-87557702

Website:www.bekenflo.com

Email: sales@bekenflo.com

Mobile: 0086-18065068870.



Brands interchangeable:

Sulzer APP/AUP/CPT/MBN/MC/ZE,
Andritz ACP/MC, Godwin, Pioneer, KSB, Goulds 3196,
Durco Mark III, Gorman-rupp. Monoyo/Seepex/Netzsch,
Warman AH, Flowserve LC, Tsurumi pump, etc.



Fuzhou Beken Fluid Co.,LTD.

Add:11th floor, ZhongMing TianAo Building,
No.169 Hudong Road, GuLou District,Fuzhou,Fujian,China.

Tel: 0086-591-87557702

Fax: 0086-591-87557702

Website:www.bekenflo.com

Email: sales@bekenflo.com

Mobile: 0086-18065068870.

