



Bekenflo

BEST OEM

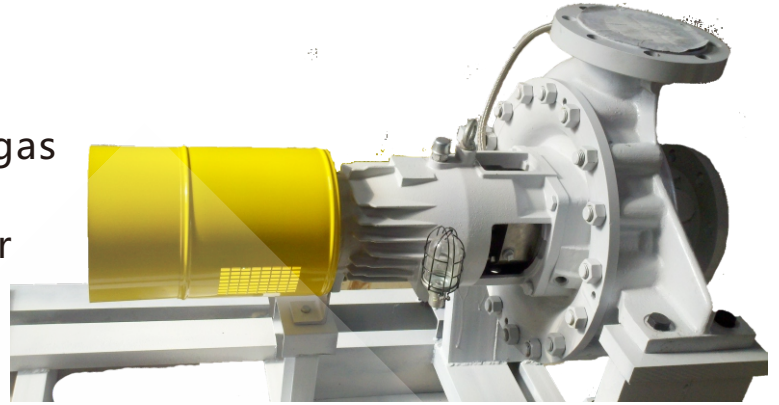
INNOVATION

CATALOGUE 2020

BE series API 610 OH2 Process Pumps

Applications:

BE series pumps are designed to API 610 10th specifications for the petrochemical, chemical and oil&gas markets. All API materials are available as standard to match your application



SPECIFICATIONS:

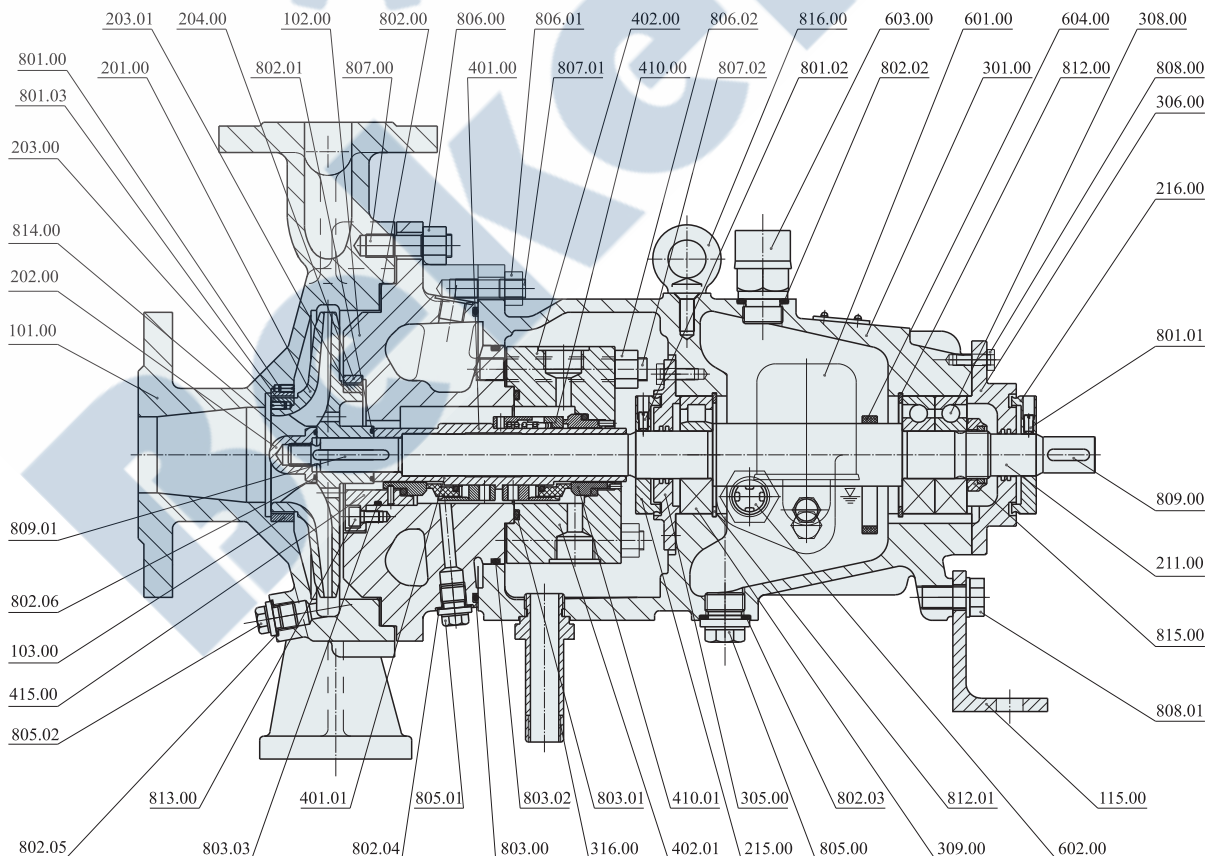
Speed: 1500rpm--2900rpm/1750rpm--3500rpm
Capacity: 3400m³/h
Head: 335m(max)
Working Condition: 20/40 bar/50 bar(max)
Temperature of liquid: -40°C to 425°C , PH=0-14

Application Std : API 610 10th Version

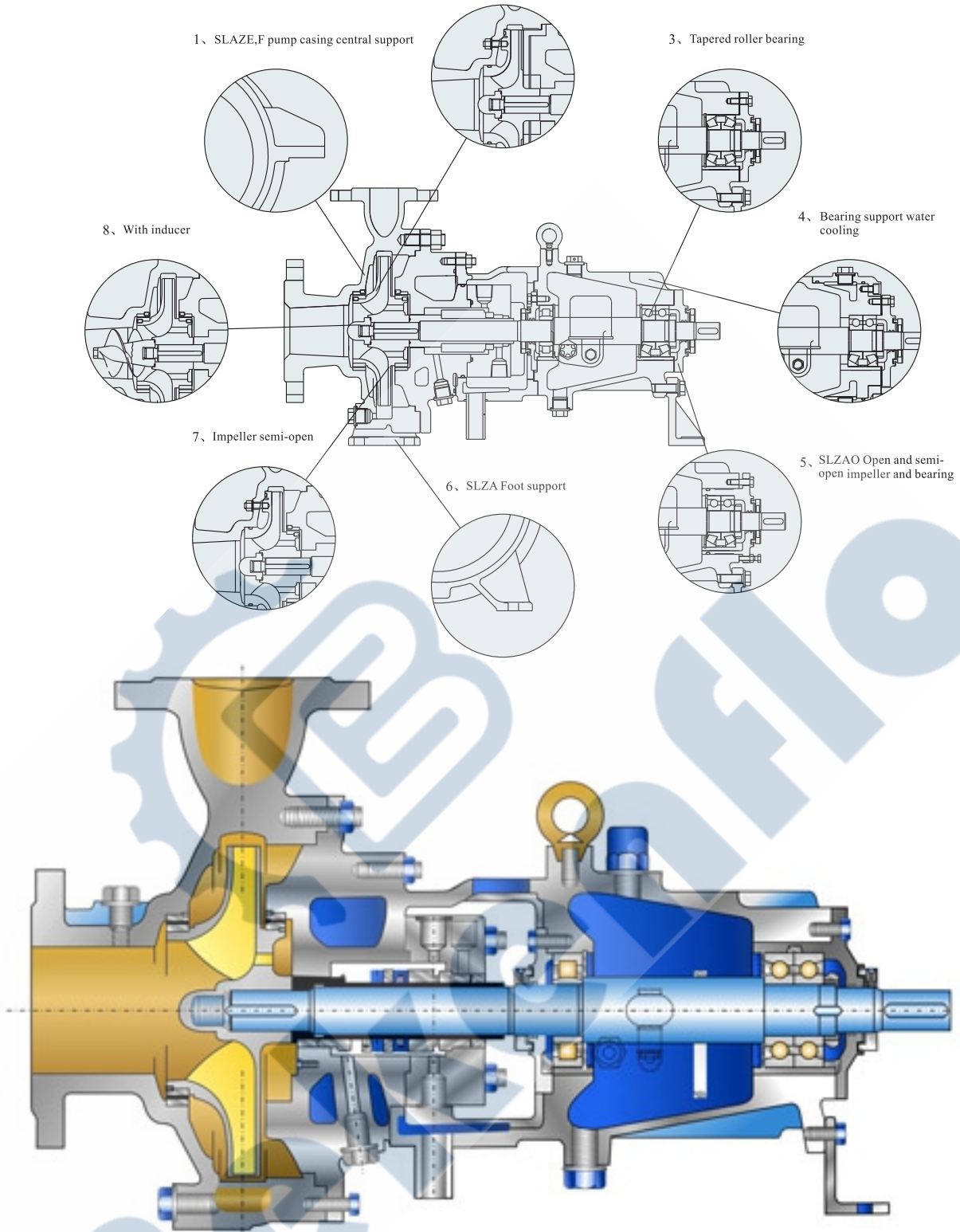
Remarks:

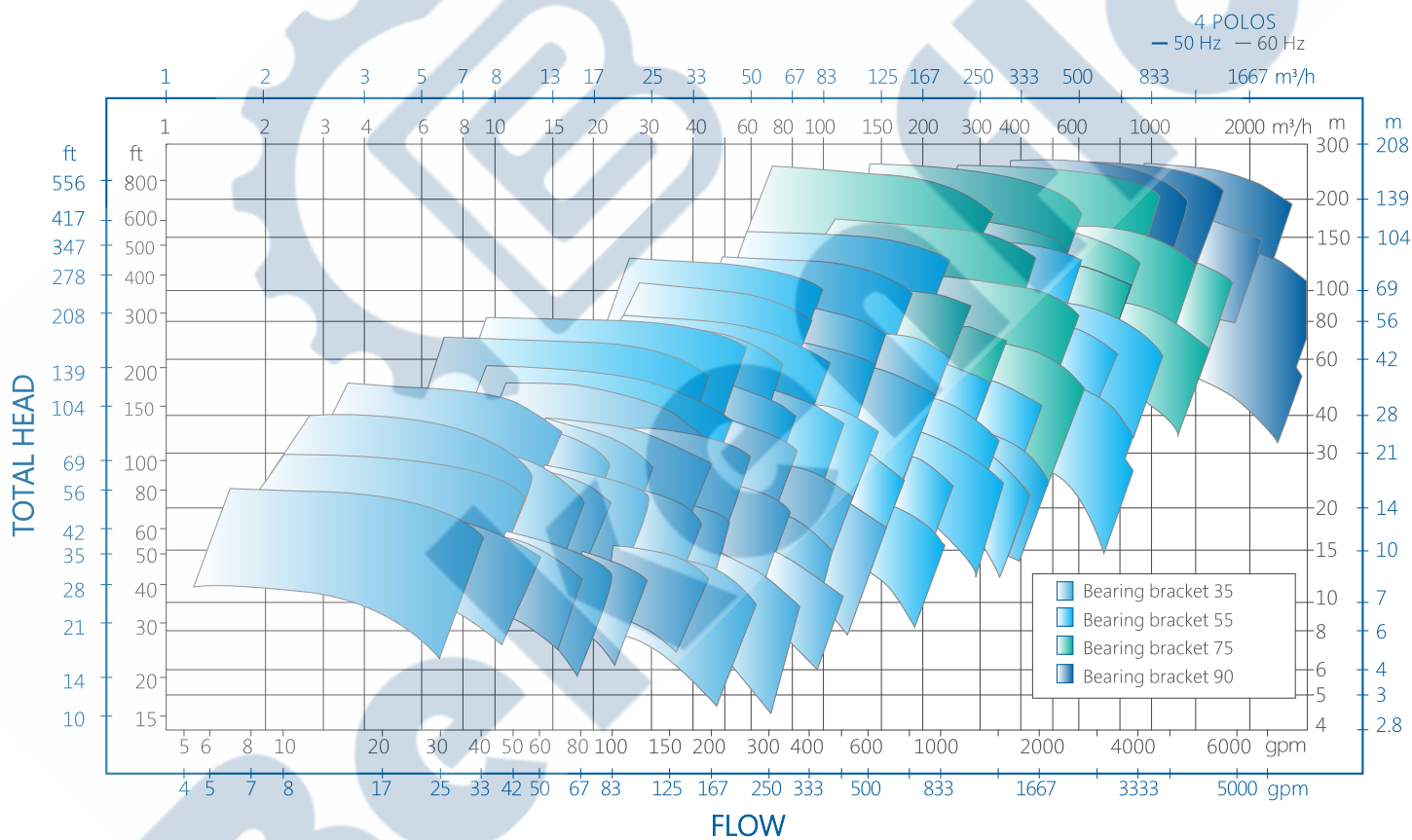
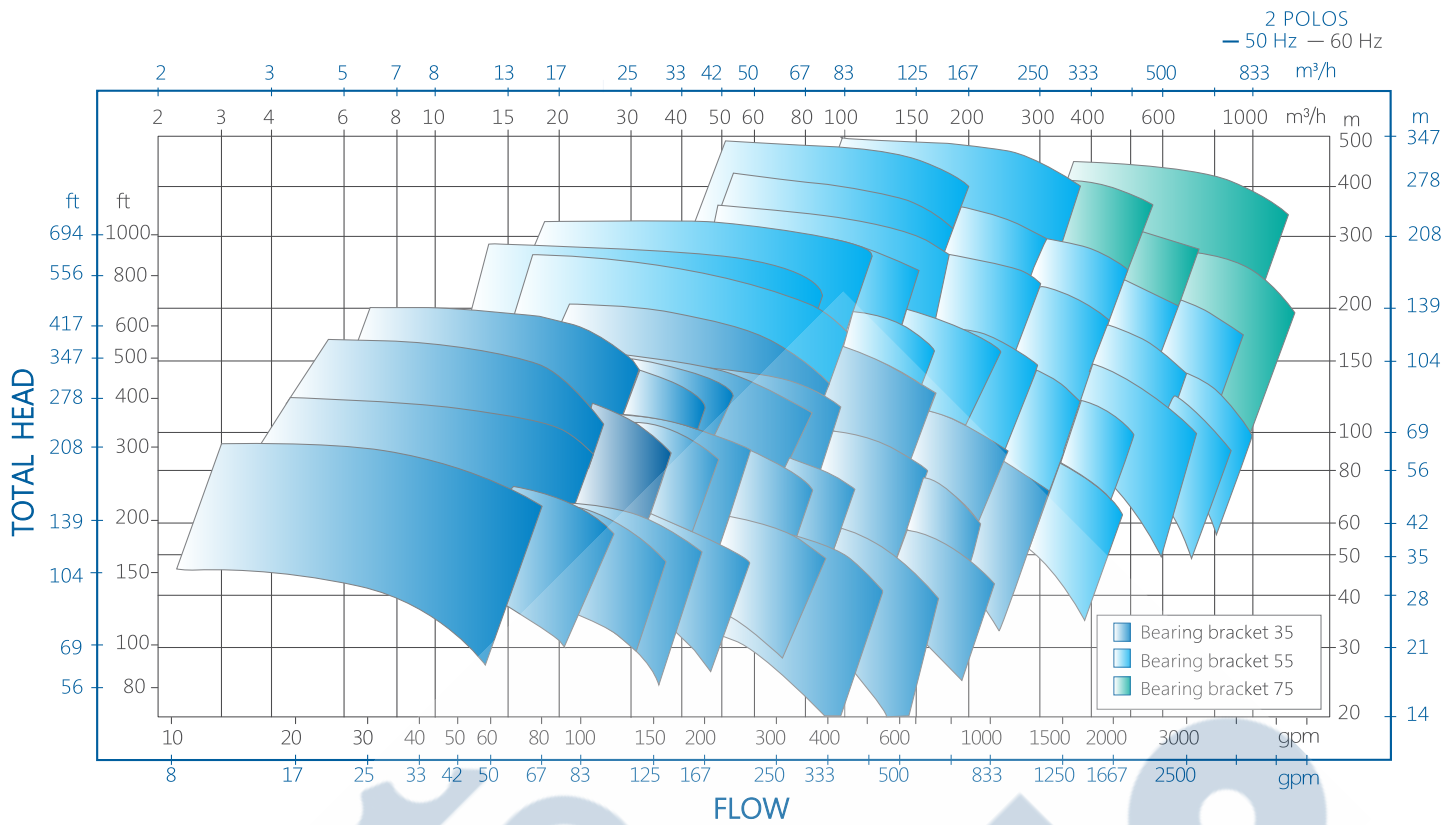
We have been OEM for many brands from Europe and USA

Constructure:



2、SLZAO Open impeller





Brands interchangeable:

Sulzer APP/AUP/CPT/MBN/MC/ZE,
Andritz ACP/MC, Godwin, Pioneer, KSB, Goulds 3196,
Durco Mark III, Gorman-rupp. Monoyo/Seepex/Netzsch,
Warman AH, Flowserve LC, Tsurumi pump, etc.



Fuzhou Beken Fluid Co.,LTD.

Add:11th floor, ZhongMing TianAo Building,
No.169 Hudong Road, GuLou District,Fuzhou,Fujian,China.

Tel: 0086-591-87557702

Fax: 0086-591-87557702

Website:www.bekenflo.com

Email: sales@bekenflo.com

Mobile: 0086-18065068870.

