



Bekenflo

BEST OEM

INNOVATION

CATALOGUE 2020



Bekenflo

BEST OEM

INNOVATION

CATALOGUE 2020

BHS series Double Suction Split Casing pumps

Applications:

- | | |
|-------------------------|---------------------------|
| Raw Water Supply | Drinking water supply |
| Industrial Applications | Irrigation |
| HVAC and Cooling Tower | Marine and ship buildings |
| Cold Water Circulation | Pool Water |
| Condense Systems | Fire Fighting Systems |

SPECIFICATIONS:

- Speed: 2900rpm/ 1480rpm/1750rpm/3500rpm
 Capacity: 68m³/h---11,000m³/h
 Head: 7m—200m
 Max Speed: 3500rpm (Diameter of impeller will be reduced)
 Max Working Temperature: 105 °C
 Working Pressure: Generally it is 1.6Mpa, It can rise to 2.4Mpa if material is Nodular cast or Cast Steel .

Application Std : Flange std can be BS,DIN,ANSI,etc

Remarks:

We have been OEM for many brands from Europe and our pumps has been used by famous brands from Middle east to apply for UL/FM Certificate. We can make pumps with the bearing housing as your own design.

Constructure:

Innovative casing:

- in-line design
- short distance between bearings and correspondingly short shaft
- leak-tight due to compact joint flange with long, prestressed bolts
- counter-rotation possible with similar parts
- double volute version for appropriate total heads
- easy mounting - self-aligning upper casing

Service-friendly shaft:

- completely sealed and dry for zero corrosion
- short and rigid with negligible vibrations
- replaceable shaft protecting sleeves
- no threads exposed to pumped medium, long operating life and no corrosion
- adjustment-free assembly
- quick and easy assembly/dismantling of the rotor components due to elastically prestressed mountings

High-performance impeller:

- minimal axial thrust due to double-entry impeller
- optional impeller wear rings
- new vane passage with excellent hydraulic characteristics

Long-life bearings:

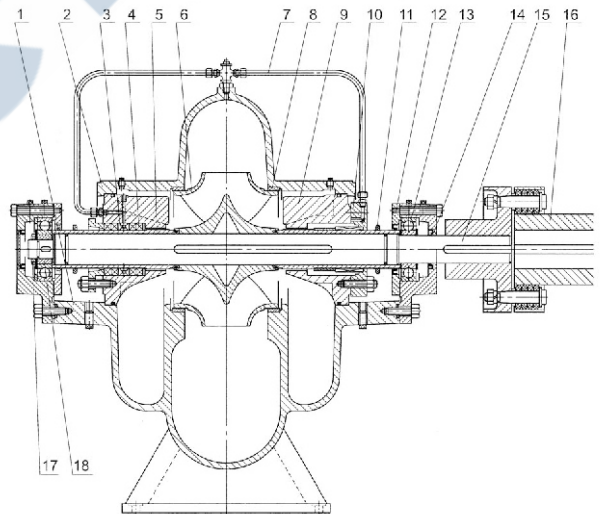
- covered, sealed for life grease lubricated antifriction bearings for a long service life
- open gland, i.e. enough space for service activities
- optional oil lubrication with constant level oiler

Application-orientated seals:

- asbestos-free, potable water quality soft-packed stuffing boxes
- optional: mechanical seals

Excellent efficiencies, Outstanding NPSH:

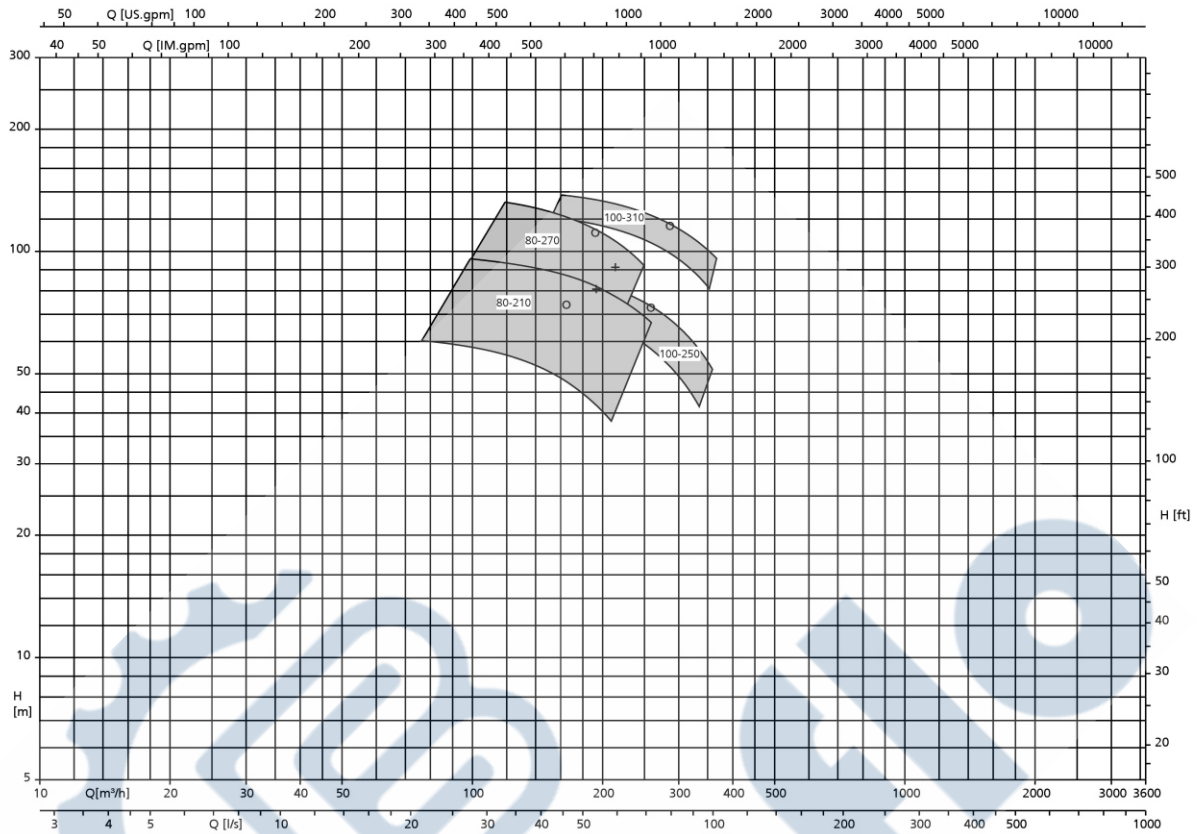
- computer-optimized double-entry impellers
- smooth surfaces inside the casing and on the impeller
- smooth, quiet running also guaranteed by a large impeller eye area
- no drop in efficiency due to cost-effective replaceable casing wear rings and impeller wear rings
- smooth, low loss running due to a swirl-free inlet



- | | | |
|------------------------------------|-------------------------------|---|
| 1. 泵体
pump casting | 8. 密封体
seal housing | 15. 弹性挡圈
circlip |
| 2. 叶轮
impeller | 9. 密封压盖或填料压盖
packing gland | 16. 轴承挡圈
bearing block ring |
| 3. 泵盖
pump cover | 10. 挡水圈
block water ring | 17. 轴承
bearing |
| 4. 水冲洗管部件
flushing water piping | 11. 轴承压盖
bearing cover | 18. 轴套
shaft sleeve |
| 5. 密封环
sealing | 12. 轴承体
bearing housing | 19. 机械密封或填料密封
stuffing seals or mechanical |
| 6. 管堵
vent plug | 13. 轴
shaft | 20. 轴承套
bearing sleeve |
| 7. O形密封圈
O-ring | 14. 骨架油封
radial seal ring | 21. 紧固螺母
nut |

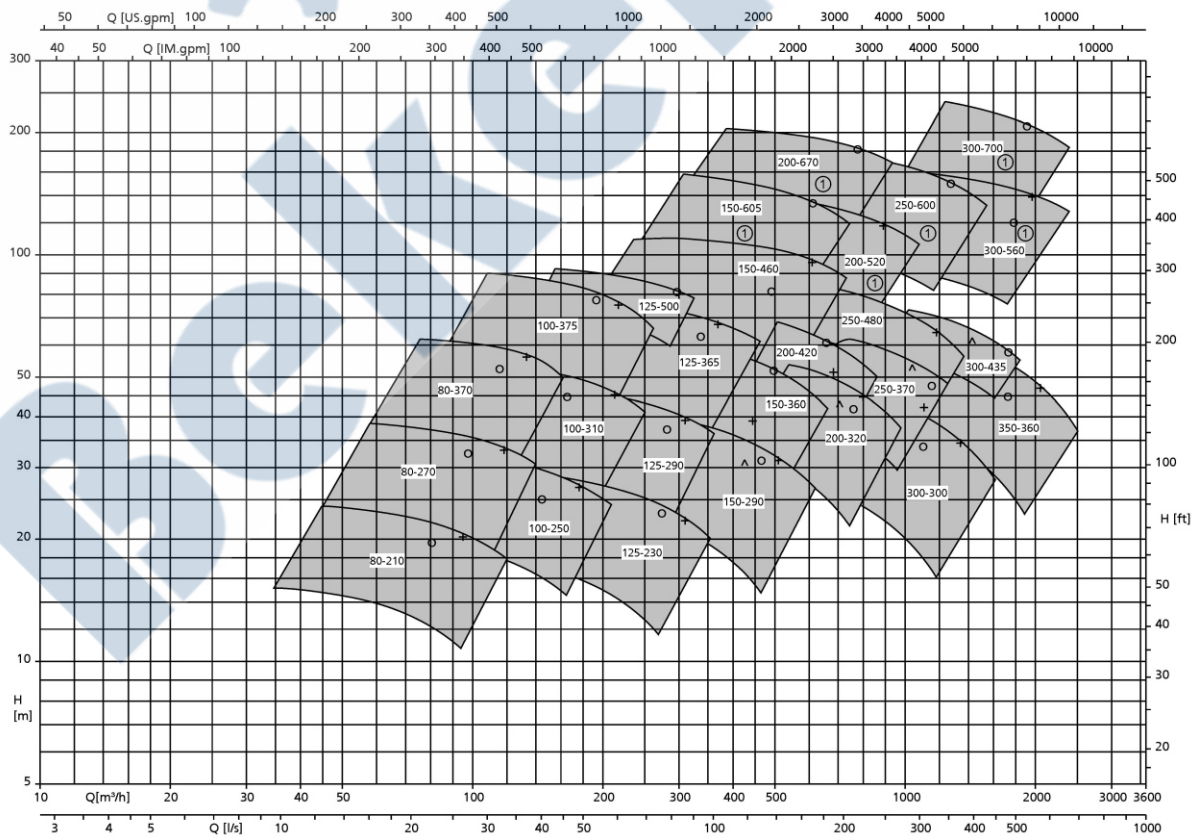
Performance Curve:

n = 3500 rpm



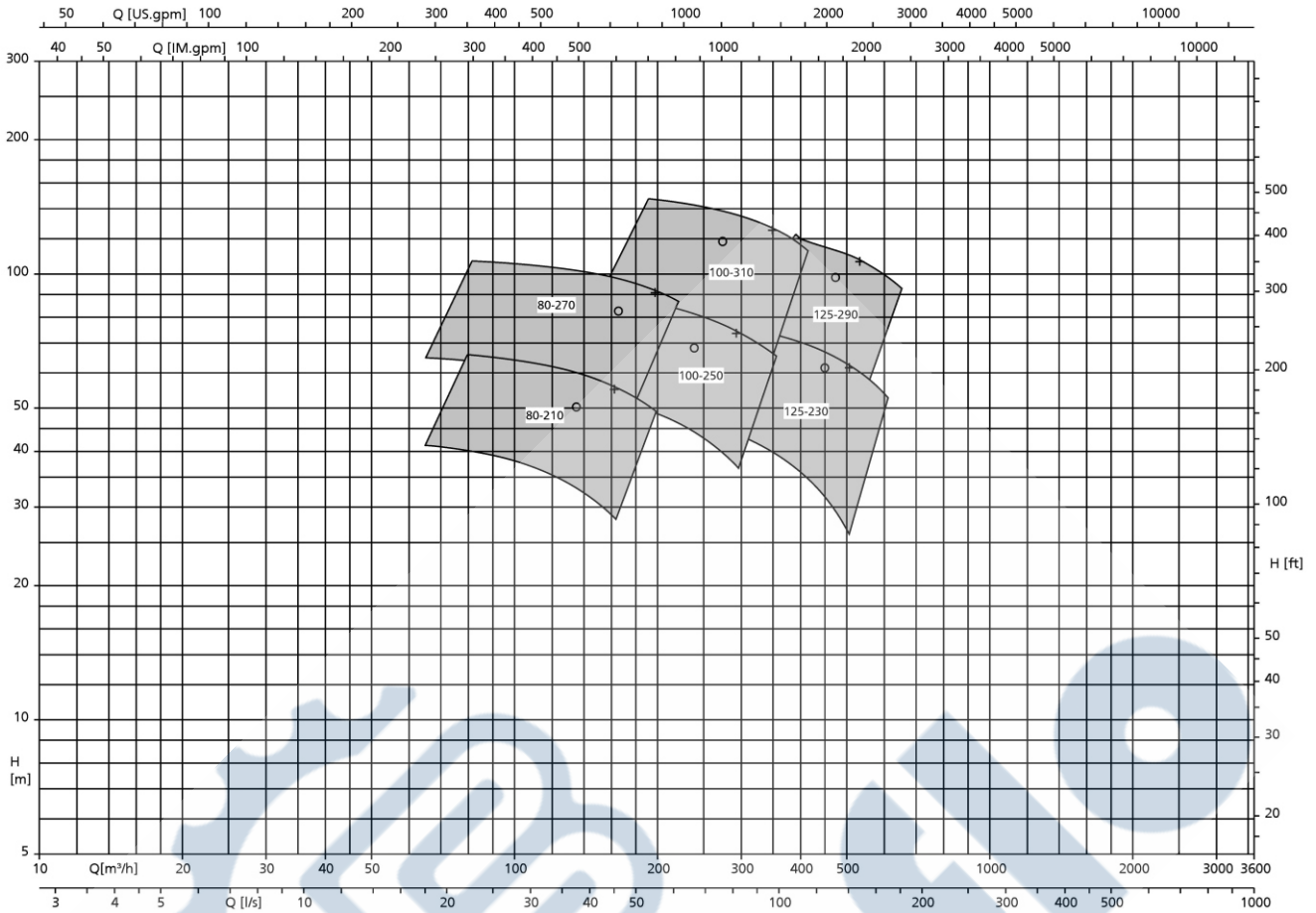
+ = η_{opt} A impeller / o = η_{opt} B impeller / ^ = η_{opt} C impeller

n = 1750 rpm



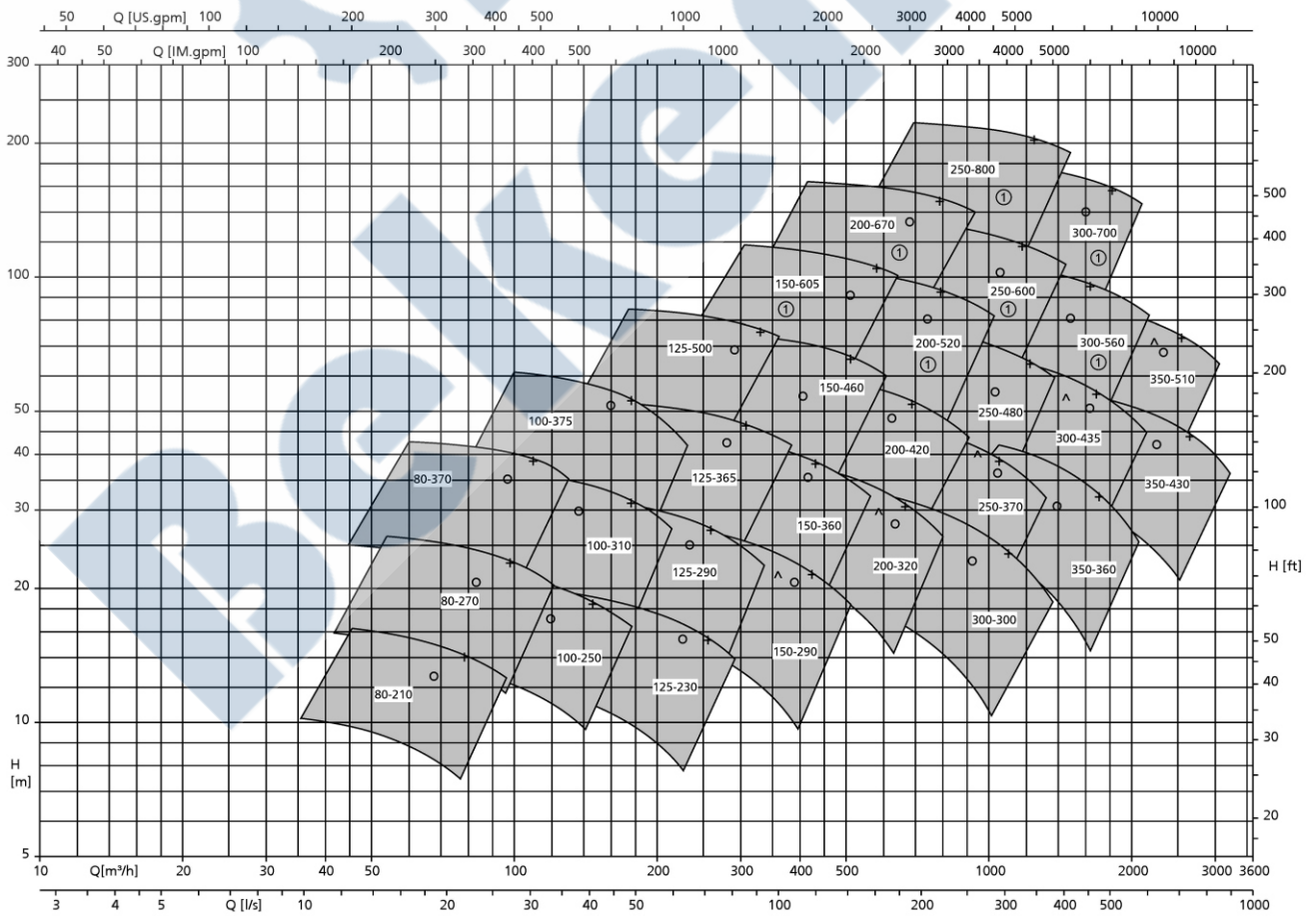
+ = η_{opt} A impeller / o = η_{opt} B impeller / ^ = η_{opt} C impeller
 ⊙: Pump casing with double volute

n = 2900 rpm



+ = η_{opt} A impeller / o = η_{opt} B impeller / ^ = η_{opt} C impeller

n = 1450 rpm



+ = η_{opt} A impeller / o = η_{opt} B impeller / ^ = η_{opt} C impeller
 ⊕: Pump casing with double volute

Brands interchangeable:

Sulzer APP/AUP/CPT/MBN/MC/ZE,
Andritz ACP/MC, Godwin, Pioneer, KSB, Goulds 3196,
Durco Mark III, Gorman-rupp. Monoyo/Seepex/Netzsch,
Warman AH, Flowserve LC, Tsurumi pump, etc.



Fuzhou Beken Fluid Co.,LTD.

Add:11th floor, ZhongMing TianAo Building,
No.169 Hudong Road, GuLou District,Fuzhou,Fujian,China.

Tel: 0086-591-87557702

Fax: 0086-591-87557702

Website:www.bekenflo.com

Email: sales@bekenflo.com

Mobile: 0086-18065068870.



Brands interchangeable:

Sulzer APP/AUP/CPT/MBN/MC/ZE,
Andritz ACP/MC, Godwin, Pioneer, KSB, Goulds 3196,
Durco Mark III, Gorman-rupp. Monoyo/Seepex/Netzsch,
Warman AH, Flowserve LC, Tsurumi pump, etc.



Fuzhou Beken Fluid Co.,LTD.

Add:11th floor, ZhongMing TianAo Building,
No.169 Hudong Road, GuLou District,Fuzhou,Fujian,China.

Tel: 0086-591-87557702

Fax: 0086-591-87557702

Website:www.bekenflo.com

Email: sales@bekenflo.com

Mobile: 0086-18065068870.

