



# Bekenflo

BEST OEM

INNOVATION

## CATALOGUE 2020

# Contractor pump

## KBZ



### Specification

- Capacity: up to 160m<sup>3</sup>/h
- Head: up to 57 meters
- Power: 1.5kW(2HP) to 15kW(20HP)  
Power supply: three phase 400V ± 10%, 50Hz  
380V ± 10%, 60Hz
- Insulation class: F
- Protection class: IP68
- Cable length: 8m
- Water temperature: up to 40°C
- Max. water depth: 25m

### Application

- Civil engineering
- Mines, quarries, coal ore & slurries
- Sewage treatment plants
- General pumping purposes

### Special features on request

- Other voltages
- The length of cable is optional

## KBS



### Specification

- Capacity: up to 372 m<sup>3</sup>/h
- Head: up to 32 meters
- Discharge: 80mm(3") to 200mm(8")
- Power: 4kW(5.5HP) to 22kW(30HP)
- Power supply: three phase 380V ± 10%, 50Hz  
380V ± 10%, 60Hz
- Insulation class: F
- Protection class: IP68
- Cable length: 8m
- Water temperature: up to 40°C
- Max. water depth: 15m

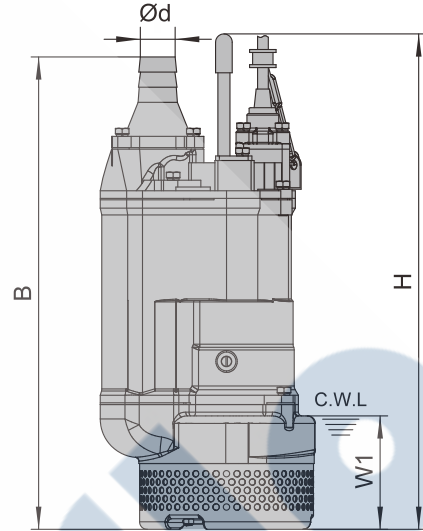
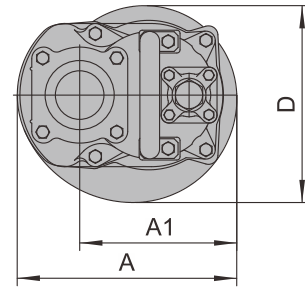
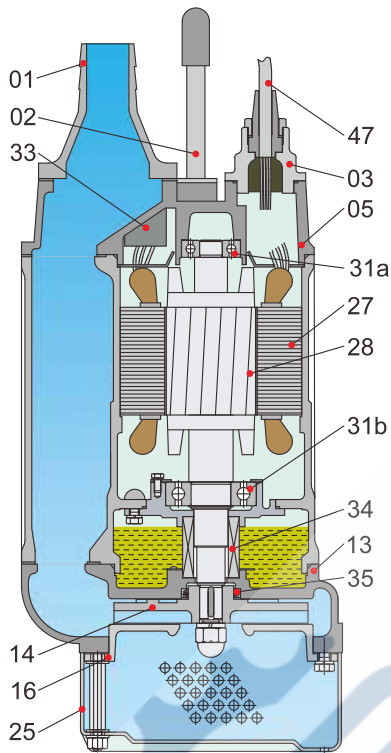
### Application

- Civil engineering
- Mines, quarries, coal ore & slurries
- Sewage treatment plants
- General pumping purposes
- Pumping fluid: sludge, liquids-containing  
mud and bentonite

### Special features on request

- Other voltages
- The length of cable is optional

# KBZ



W1:Continuous running water level

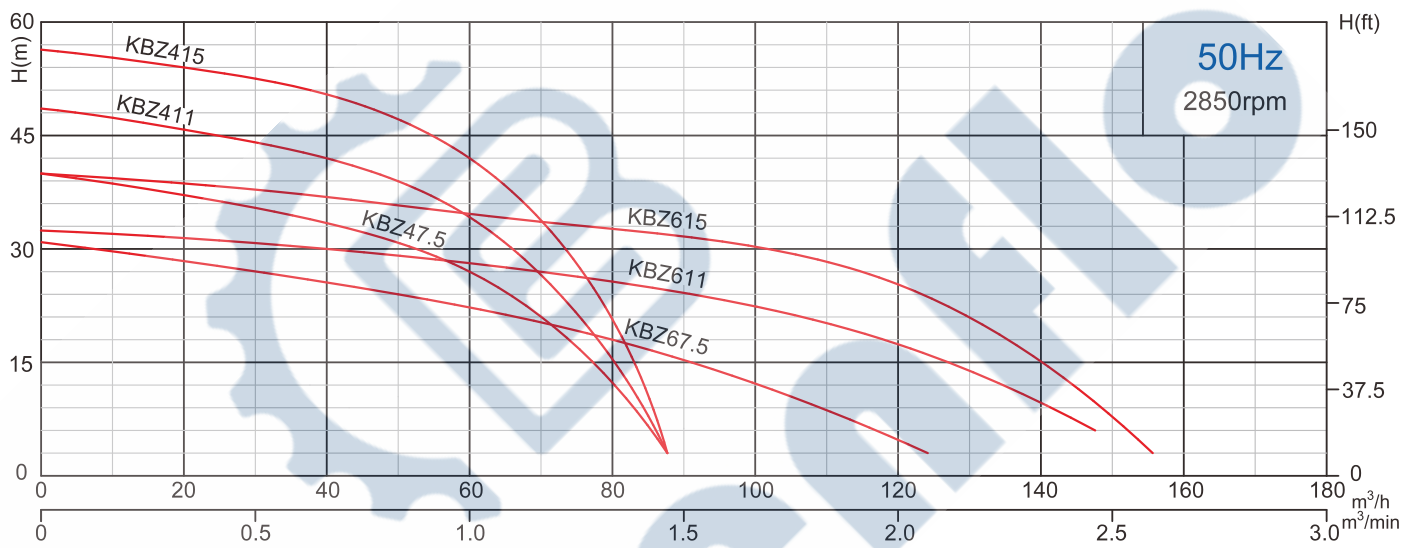
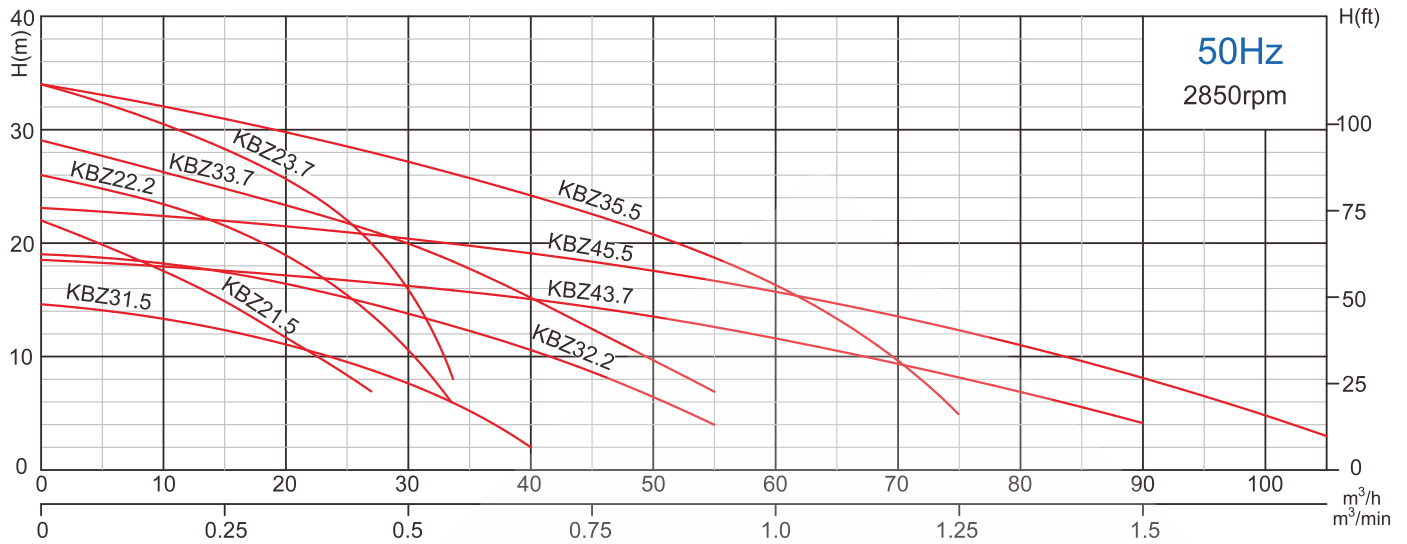
## Material of construction

Item No.	Part name	Material	Item No.	Part name	Material
01	Hose coupling	Cast iron	28	Rotor	Shaft:AISI420SS
02	Handle	Rubber&steel	31a	Bearing	Ball bearing
05	Upper cover	Cast iron	31b	Bearing	Ball bearing
11	Motor body	Cast iron	33	Motor protector	
13	Pump body	Cast iron	34	Mechanical seal	Sic-Sic/Carbon-Sic(≤2.2kW) Sic-Sic/Sic-Sic(≥3.7kW)
14	Impeller	High chrome alloy	35	Oil seal	
16	Inlet plate	Ductile iron	47	Cable	
25	Strainer	Steel			
27	Stator				

## Dimensions & weights

Model (50/60Hz)	d	A	A1	B	D	H	W1	N.W	G.W	Packing dimension mm
	mm	mm	mm	mm	mm	mm	mm	Kg	Kg	
KBZ21.5	50	235	173	535	216	505	120	36	40	610x265x265
KBZ31.5	80	235	173	535	216	505	120	36	40	610x265x265
KBZ22.2	50	235	173	535	216	505	120	39	43	610x265x265
KBZ32.2	80	235	173	535	216	505	120	39	43	610x265x265
KBZ23.7	50	283	208	628	252	629	150	63	68	710x320x295
KBZ33.7	80	283	208	628	252	629	150	63	68	710x320x295
KBZ43.7	100	283	208	642	252	629	150	63	68	710x320x295
KBZ35.5	80	283	208	671	252	590	150	77	84	750x350x360
KBZ45.5	100	283	208	686	252	590	150	77	84	750x350x360
KBZ47.5	100	330	240	764	314	676	190	106	116	835x365x385
KBZ67.5	150	330	240	790	314	676	190	108	119	865x365x385
KBZ411	100	373	255	807	350	695	190	136	148	885x415x435
KBZ611	150	373	255	807	350	695	190	139	150	885x415x435
KBZ415	100	373	255	842	350	755	190	144	158	935x415x435
KBZ615	150	373	255	842	350	755	190	146	160	935x415x435

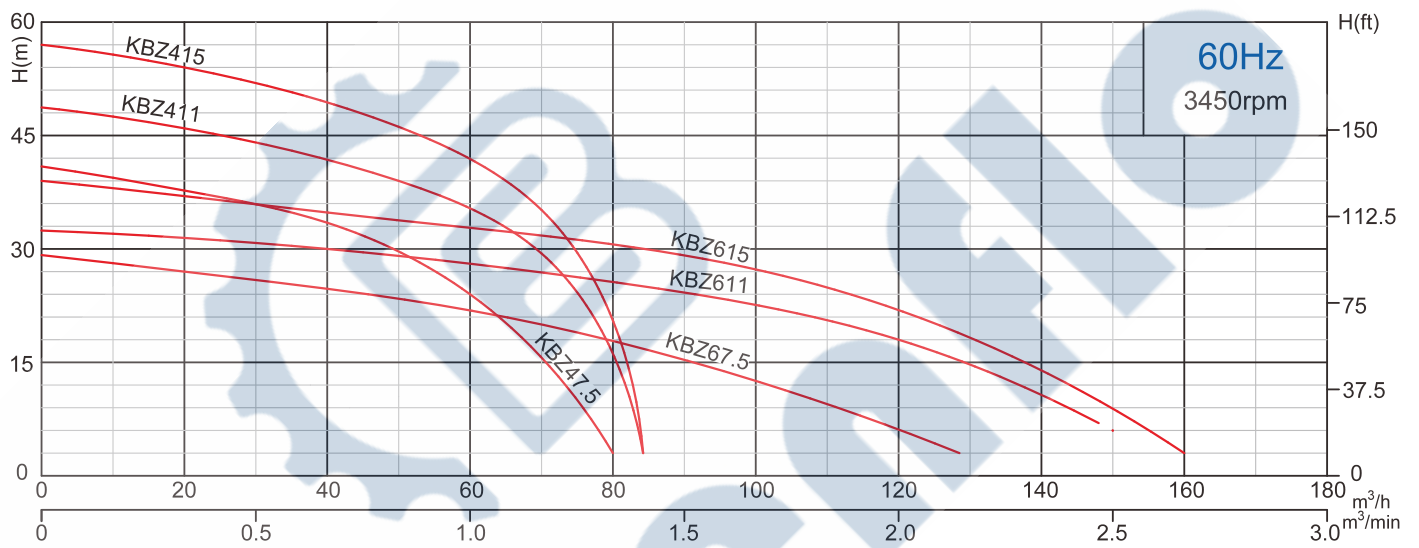
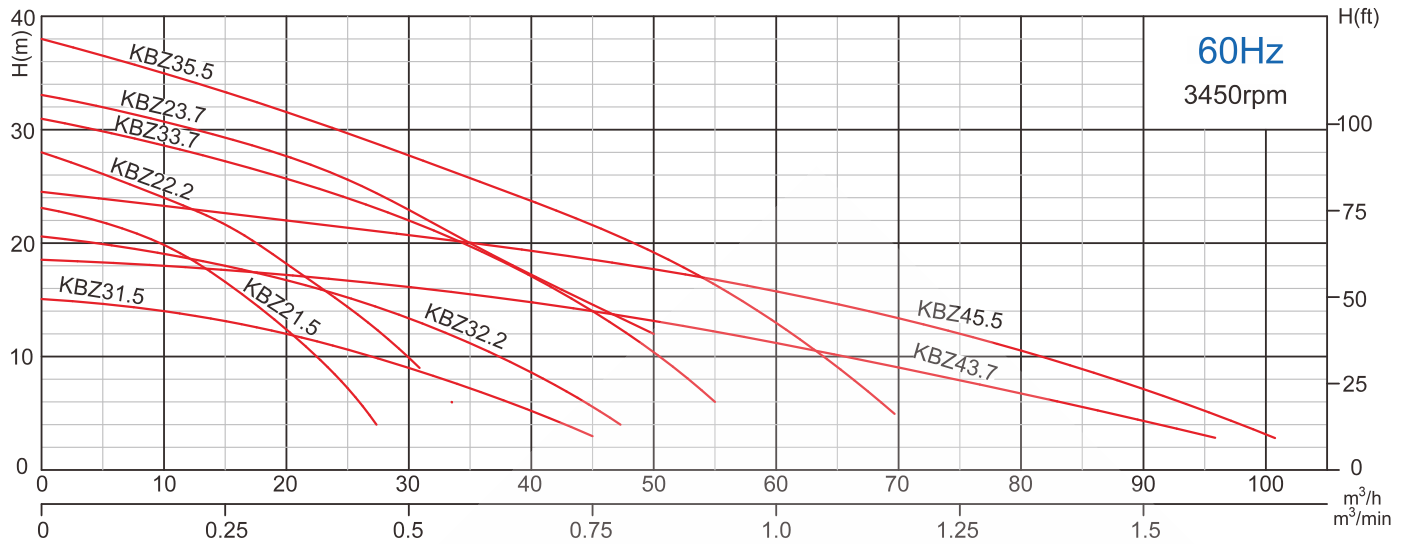
## Performance curves



## Performance table

Model (50Hz)	Outlet	Motor power		Rated current (400V) A	Rated capacity		Rated head m	Max capacity		Max Head m	Impeller Passage mm
	mm	kW	HP		m³/h	m³/min		m³/h	m³/min		
KBZ21.5	50	1.5	2	3.5	15	0.25	15	27	0.45	22	8.5
KBZ31.5	80	1.5	2	3.5	30	0.50	8	40	0.67	14.5	8.5
KBZ22.2	50	2.2	3	5.0	18	0.30	20	33	0.55	26	8.5
KBZ32.2	80	2.2	3	5.0	36	0.60	11	55	0.92	19	8.5
KBZ23.7	50	3.7	5	7.7	12	0.20	30	33	0.55	34	8.5
KBZ33.7	80	3.7	5	7.7	30	0.50	20	55	0.92	29	8.5
KBZ43.7	100	3.7	5	7.7	60	1.0	11.5	90	1.50	18.5	8.5
KBZ35.5	80	5.5	7.5	11.4	36	0.60	25	75	1.25	34	8.5
KBZ45.5	100	5.5	7.5	11.4	60	1.0	16	105	1.75	23	8.5
KBZ47.5	100	7.5	10	15	48	0.80	30	84	1.40	40	11.5
KBZ67.5	150	7.5	10	15	90	1.60	15	124.8	2.08	31	19.5
KBZ411	100	11	15	22	60	1.0	35	84	1.40	48.5	11.5
KBZ611	150	11	15	22	102	1.70	22	147	2.45	32	19.5
KBZ415	100	15	20	29.5	60	1.0	42	84	1.40	56	11.5
KBZ615	150	15	20	29.5	102	1.70	30	156	2.60	40	19.5

## Performance curves



## Performance table

Model (60Hz)	Outlet	Motor power		Rated current (380V) A	Rated capacity		Rated head m	Max capacity		Max Head m	Impeller Passage mm
	mm	kW	HP		m³/h	m³/min		m³/h	m³/min		
KBZ21.5	50	1.5	2	3.5	15	0.25	16.5	27	0.45	23	8.5
KBZ31.5	80	1.5	2	3.5	30	0.50	9	45	0.75	15	8.5
KBZ22.2	50	2.2	3	5.1	18	0.30	20	31	0.52	28	8.5
KBZ32.2	80	2.2	3	5.1	30	0.60	13	47	0.78	20.5	8.5
KBZ23.7	50	3.7	5	8.0	12	0.20	30	50	0.83	33	8.5
KBZ33.7	80	3.7	5	8.0	30	0.50	22	55	0.92	31	8.5
KBZ43.7	100	3.7	5	8.0	60	1.0	11.5	96	1.60	18.5	8.5
KBZ35.5	80	5.5	7.5	11.6	36	0.60	25	69	1.15	38	8.5
KBZ45.5	100	5.5	7.5	11.6	60	1.0	16	102	1.70	24.4	8.5
KBZ47.5	100	7.5	10	15.4	48	0.80	30	80	1.33	41	11.5
KBZ67.5	150	7.5	10	15.4	90	1.60	15	127	2.12	31	19.5
KBZ411	100	11	15	22.5	60	1.0	35	84	1.40	48.5	11.5
KBZ611	150	11	15	22.5	102	1.70	22	147	2.45	32	19.5
KBZ415	100	15	20	30	60	1.0	42	84	1.40	57	11.5
KBZ615	150	15	20	30	102	1.70	27	160	2.67	39	19.5

# Brands interchangeable:

Sulzer APP/AUP/CPT/MBN/MC/ZE,  
Andritz ACP/MC, Godwin, Pioneer, KSB, Goulds 3196,  
Durco Mark III, Gorman-rupp. Monoyo/Seepex/Netzsch,  
Warman AH, Flowserve LC, Tsurumi pump, etc.



Fuzhou Beken Fluid Co.,LTD.

Add:11th floor, ZhongMing TianAo Building,  
No.169 Hudong Road, GuLou District,Fuzhou,Fujian,China.

Tel: 0086-591-87557702

Fax: 0086-591-87557702

Website:www.bekenflo.com

Email: sales@bekenflo.com

Mobile: 0086-18065068870.

